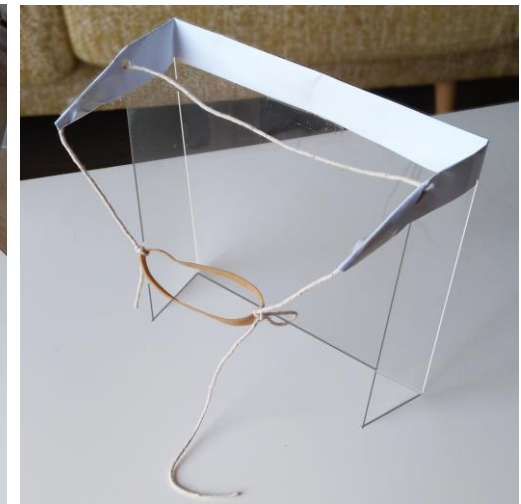


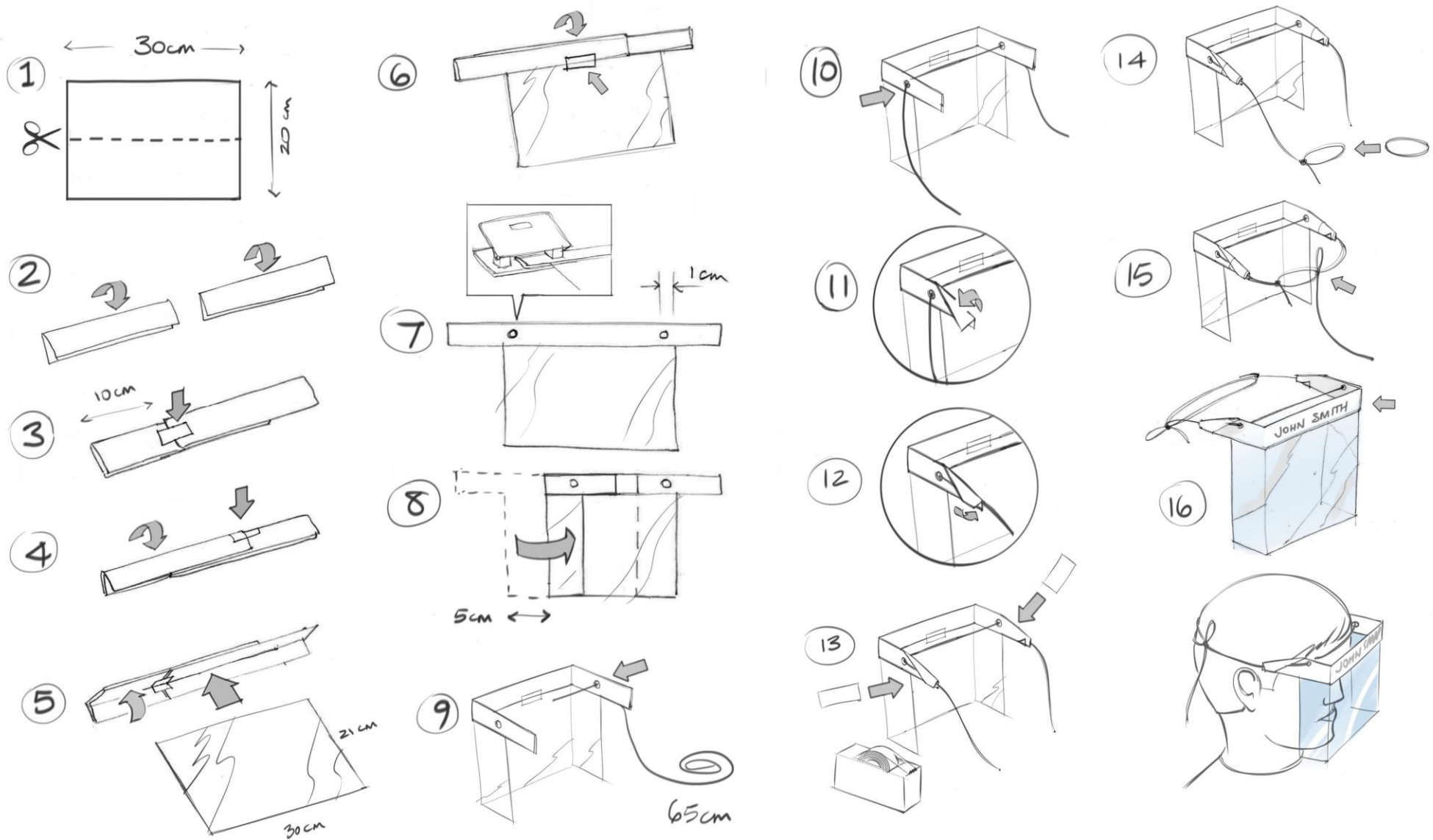
Home made face shield.

Made using acetate sheet (200 µm thick), paper, string, an elastic band and sticky tape.

This face mask has not been tested.



You are free to Share - copy and redistribute the material in any medium or format **Adapt** — remix, transform, and build upon the material for any purpose, even commercially.



You are free to Share — copy and redistribute the material in any medium or format Adapt — remix, transform, and build upon the material for any purpose, even commercially.